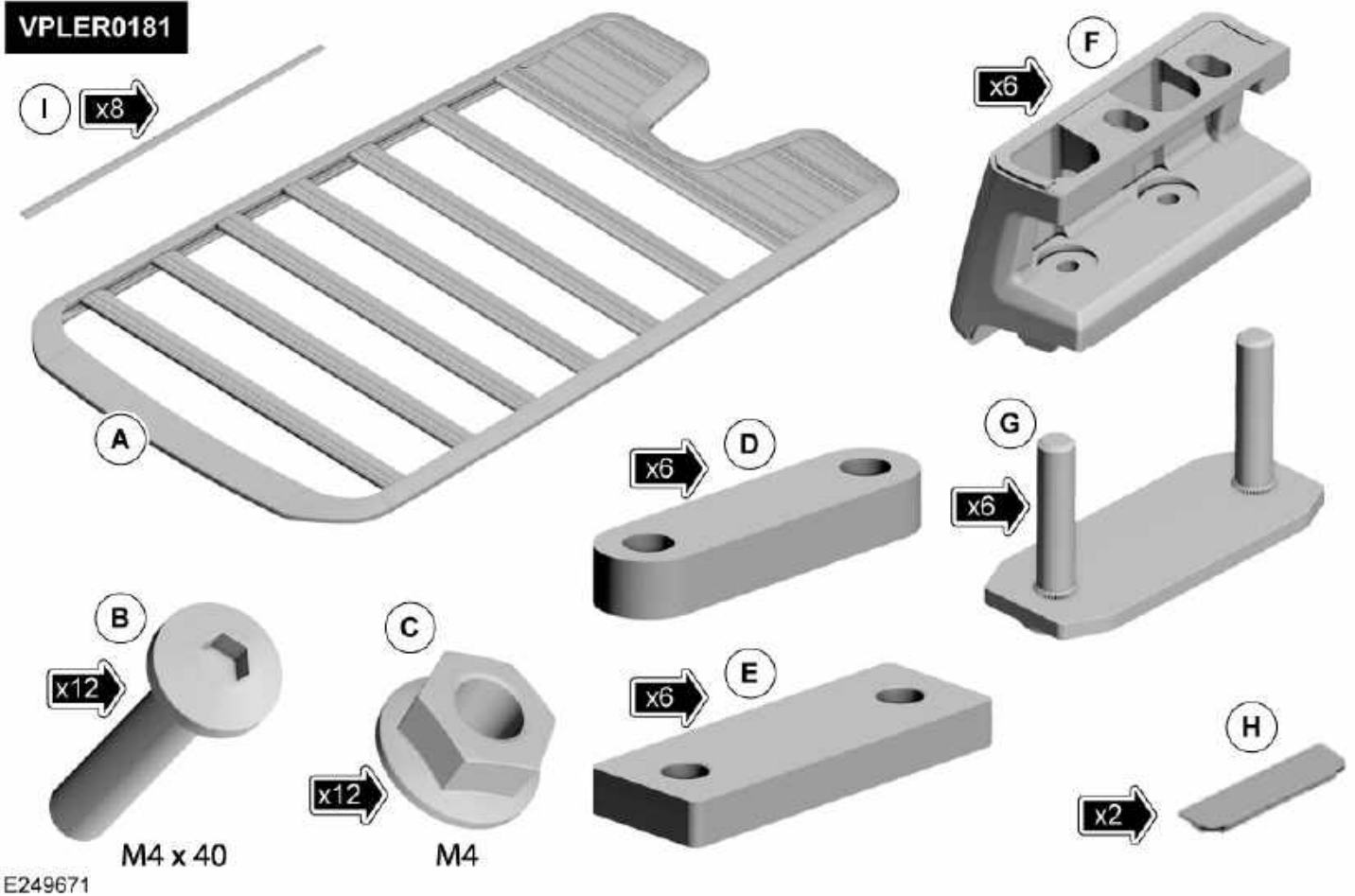


# LAND ROVER

## NEW DEFENDER

### EXPEDITION ROOF RACK VPLER0180, VPLER0181

#### FITTING INSTRUCTION



 **WARNING**

Accessories which are not correctly installed can be dangerous. Read the instructions carefully prior to installation. Comply with instructions at all times. If in doubt, contact your nearest approved retailer.

 **CAUTION**

The vehicle must be equipped with roof rails if the expedition roof rack is going to be installed.

The roof opening panel should not be used when the expedition roof rack is carrying loads that protrude beneath the lower surface of the expedition roof rack cross bars.

Objects placed above the roof mounted satellite antenna may reduce the quality of the signal received by the vehicle and could have a detrimental effect on the navigation and satellite radio systems, if installed.

There are 2 variants of the expedition roof rack. For vehicles with 90 wheelbase order VPLER0180. For vehicles with 110 wheelbase order VPLER0181.

**NOTE**

This procedure contains some variation in the illustrations depending on the vehicle specification, but the essential information is always correct.

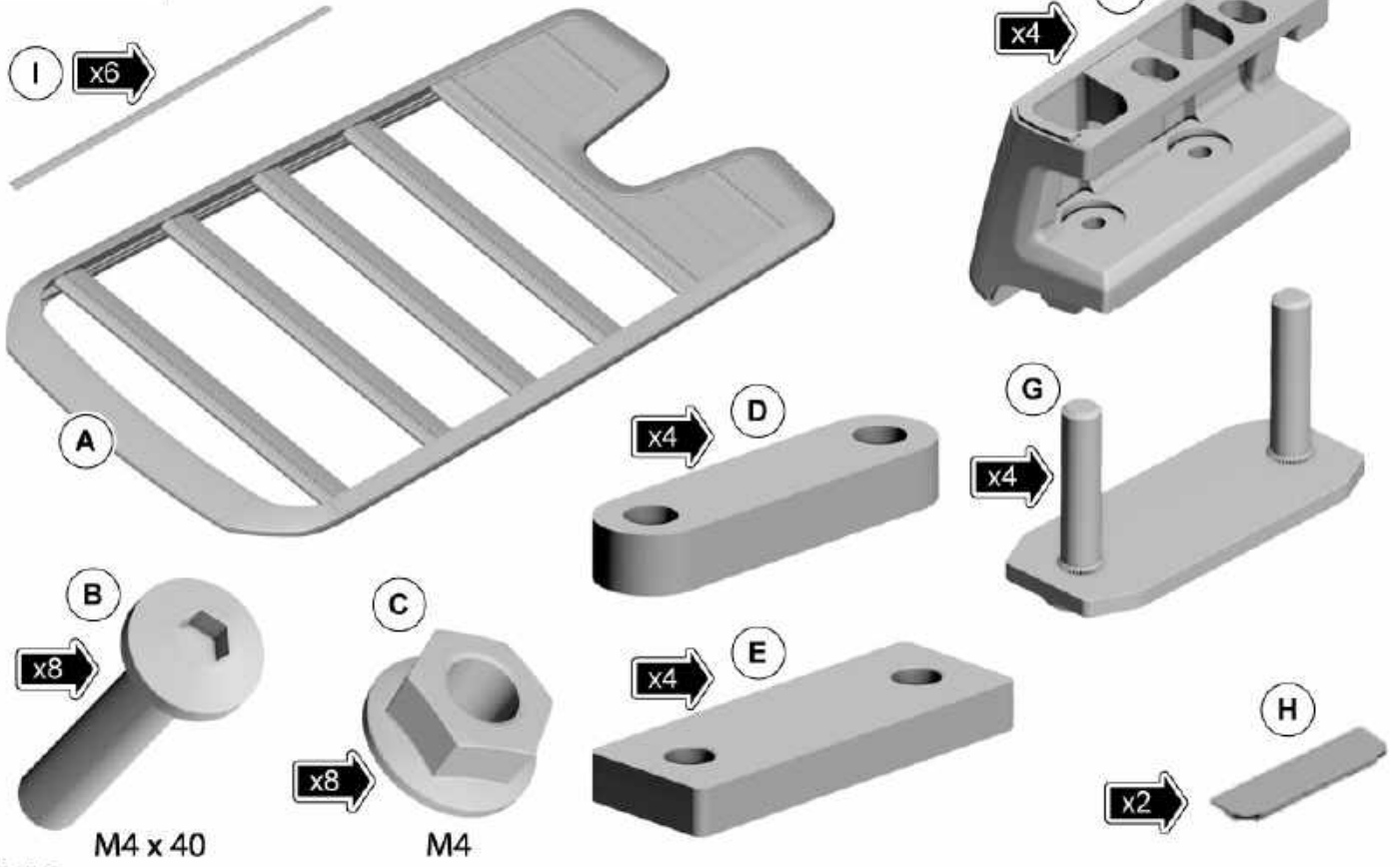
This procedure contains illustrations for left side components, right side components are similar.

Expedition roof rack (VPLER0181) for vehicles with 110 wheelbase.

**NOTE**

Expedition roof rack (VPLER0180) for vehicles with 90 wheelbase.

**VPLER0180**



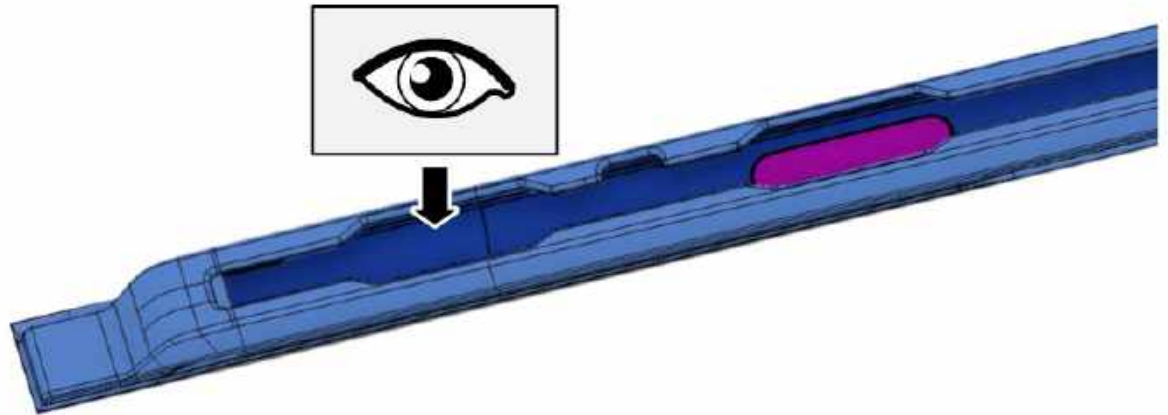
E261547

## Fitting Instruction

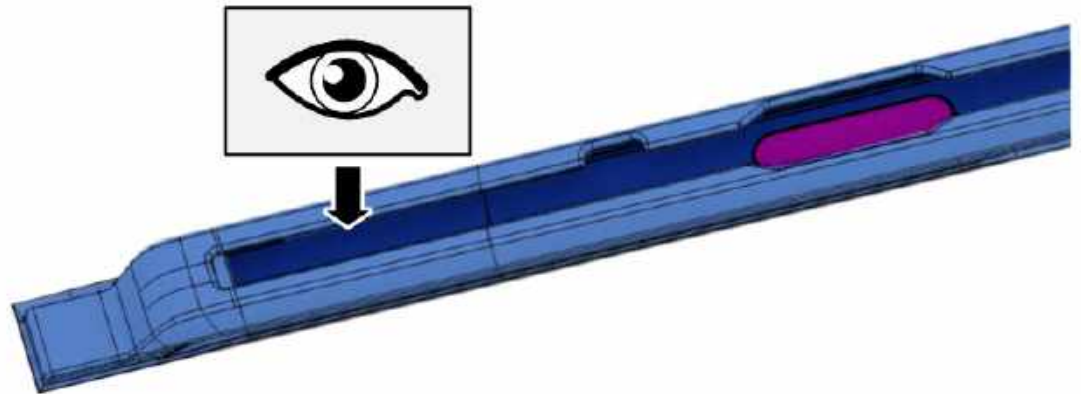
1

90

VPLER0190



VPLER0176



E265363

**!** WARNING

There are 2 types of Roof Rails (VPLER0176 and VPLER0190) for 90 wheel base, see illustrations below showing the difference between the 2 versions.

When VPLER0176 Roof Rails are installed in conjunction with the Deployable Roof Ladder, the Expedition Roof Rack cannot be installed or removed without first removing the Deployable Roof Ladder.

If both the Deployable Ladder and Expedition Roof Rack are to be installed to VPLER0176 roof rails, then the Expedition Roof Rack feet must first be installed to the Roof Rails, followed by the complete Deployable Ladder Kit then the remaining Expedition Roof Rack kit.

VPLER0176 Roof Rails should only be used with the Expedition Roof Rack, Side Mounted Gear Carrier and Roof Cross bars.

The Deployable Roof Ladder and Side mounted Gear Carrier are not intended to be removed when installed and could be damaged if removed.

When VPLER0190 Roof Rails are installed in conjunction with the Deployable Roof Ladder, the Roof Rails allow the Expedition Roof Rack and Roof Cross Bars to be installed and removed without removing the Deployable Ladder first.

VPLER0190 Roof Rails are recommended to be used in conjunction with the Deployable Roof Ladder on the 90 wheelbase, to be able to use all removable Roof Rail mounted accessories as intended.

If Multiple Roof Rail mounted accessories are required in the future, Roof Rails VPLER0190 are recommended for 90 wheel base.

#### NOTE

For 90 wheel base only.

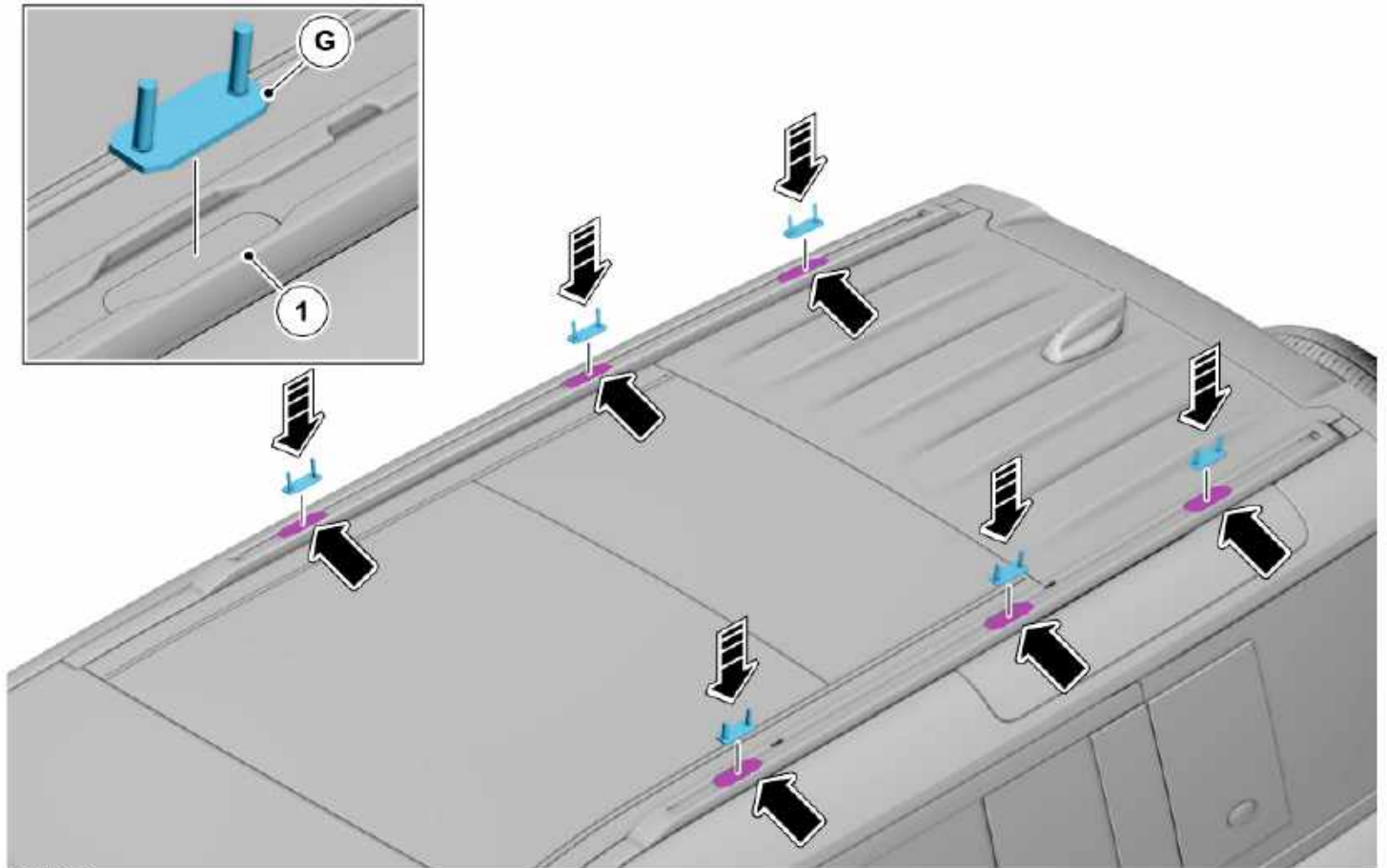
Inspect which type of roof rail you have for the Defender (90) by comparing with the roof rail illustration above. VPLER0190 roof rail has an additional slot at the rear of the roof rail.

2

Instructions show the process for installing the expedition roof rack to a vehicle with 110 wheelbase. The process for installing the expedition roof rack to a vehicle with 90 wheelbase is the same except the quantity of some parts is different.

Vehicle with 90 wheelbase use 4 clamp plates (G), 4 spacer plates (D) and (E) and 4 rack supports (F).

3



E249672

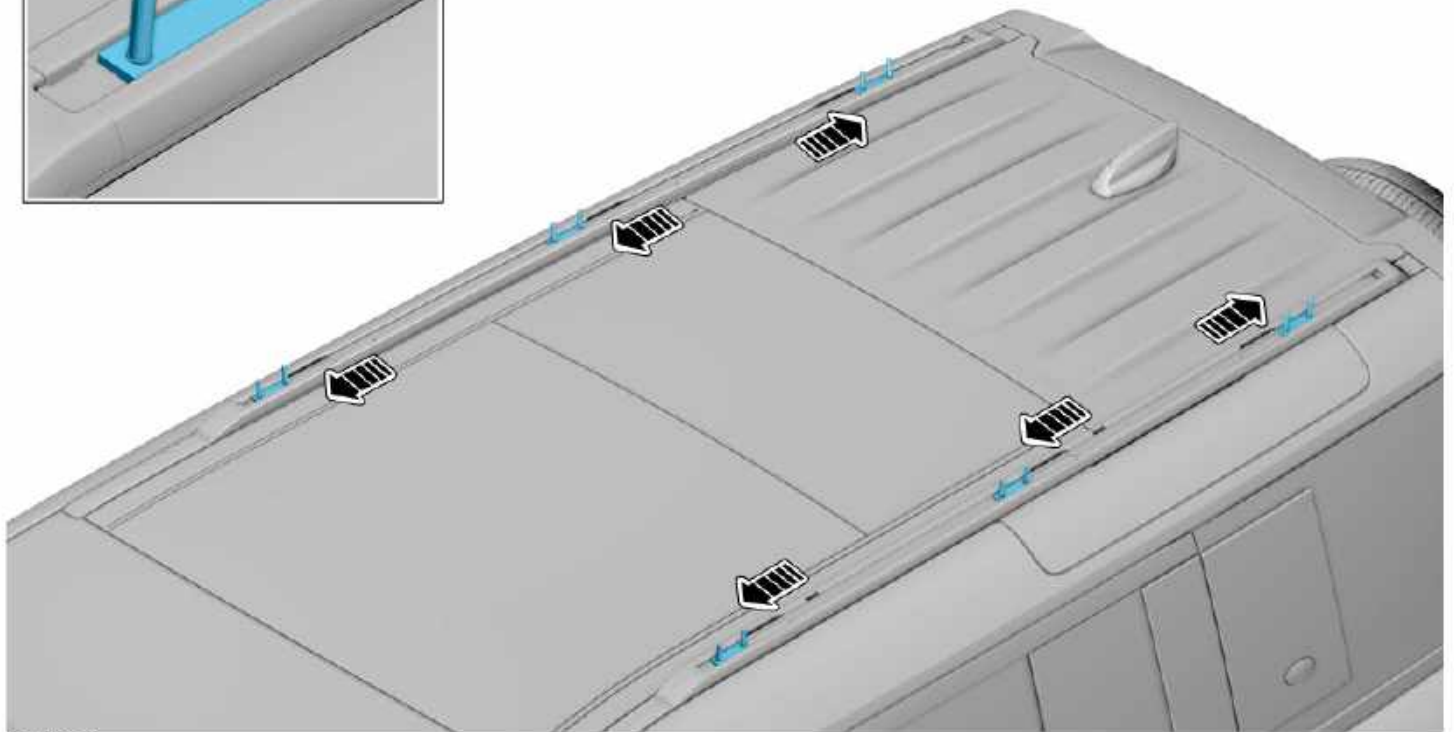
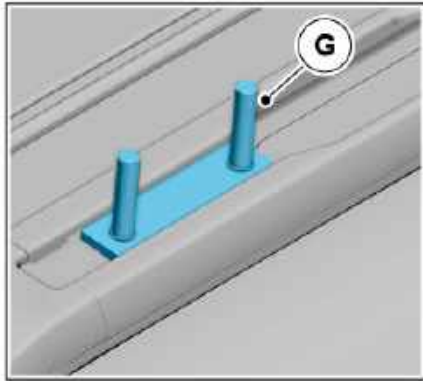
**NOTE**

If the Deployable Roof Ladder is installed to 90 Roof Rails VPLER0176, this will need to be removed before this step.  
 Vehicle with 90 wheelbase use only 4 clamp plates (G).

Align and insert the clamp plates (G) at the 6 locations as illustrated.

- 1 Insert the clamp plates into the arrowed section of the roof rails. At the arrowed locations the roof rail has a wider aperture that allows the clamp plate to be installed into the roof rail.

4



E249673

**NOTE**

Vehicle with 90 wheelbase use only 4 clamp plates (G).

Slide the clamp plates (G) to the 6 locations as illustrated.

- 1 Slide the clamp plates (G) along the roof rails.
- 2 Make sure the clamp plates are correctly positioned within the roof rails at each of the 6 locations.

5



E249674

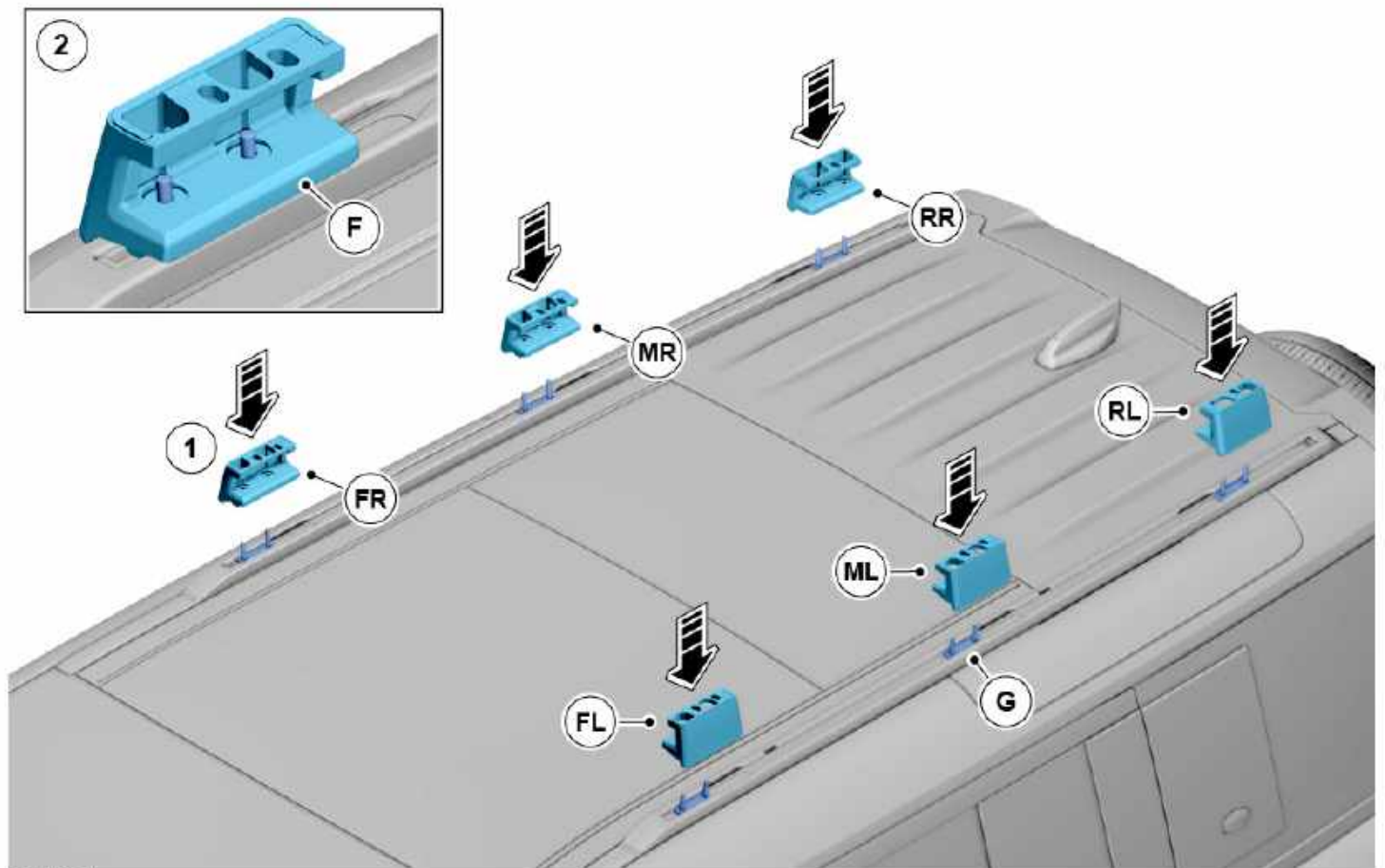
**NOTE**

Vehicle with 90 wheelbase use only 4 rack supports (F). The 4 rack supports have the location identifiers (FL, FR, RR, RL).

Identify the label on the 6 rack supports (F) to find the location identifier (FL, FR, ML, MR, RR, RL). The rack supports must be installed at the correct location on the vehicle as indicated by the label.



6



E249675

### ! CAUTION

Make sure the rack supports are installed at the correct location on the vehicle as illustrated. Observe the location identifier on each of the 6 rack supports.

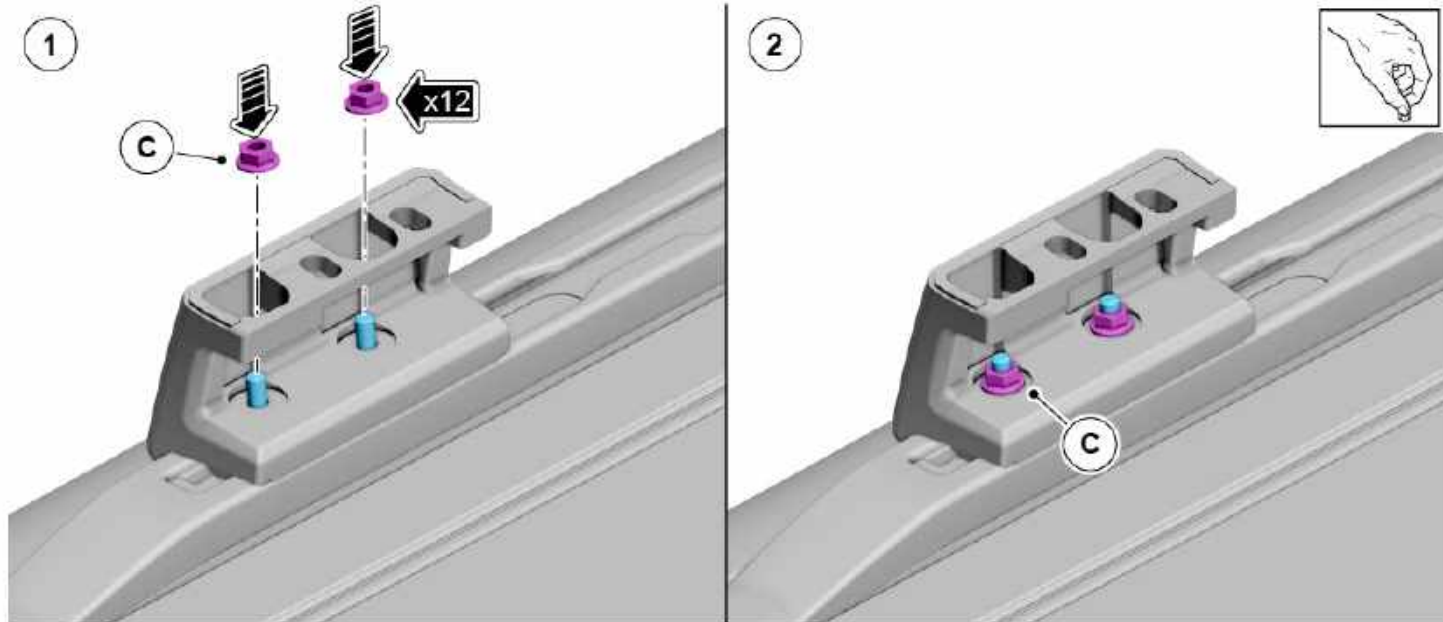
### NOTE

Vehicle with 90 wheelbase use only 4 rack supports (F) and 4 clamp plates (G).

Install the rack supports (F) to the clamp plates (G) at the 6 locations as illustrated.

- 1 Place the rack support onto the clamp plate. Make sure the orientation is correct.
- 2 Make sure the rack support is installed correctly as illustrated.

7



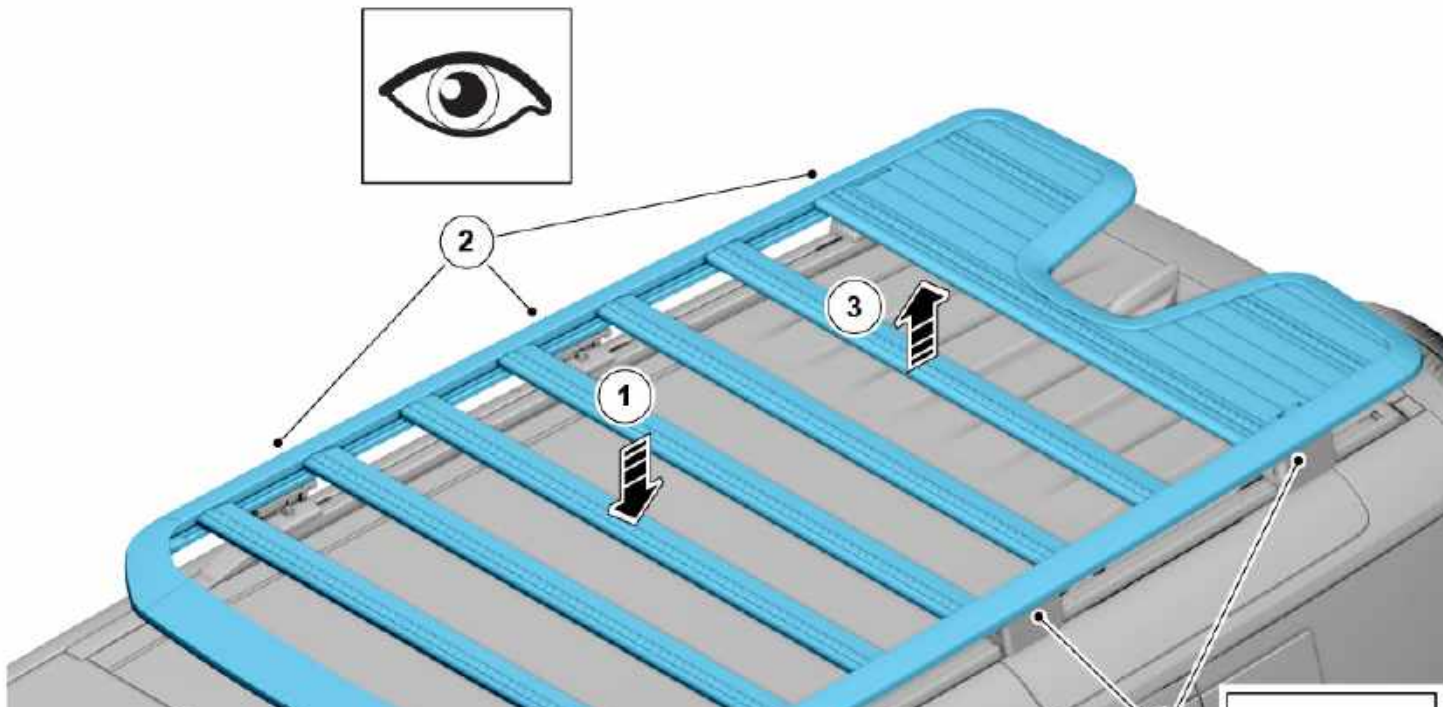
E249676

NOTE

Vehicle with 90 wheelbase use only 4 rack supports (F) and 4 clamp plates (G).

Install, but do not fully tighten the fixings (C) to secure the 6 rack supports (F) to the 6 clamp plates (G).

8





E249677

**!** CAUTION

Take care when lifting the expedition roof rack onto the vehicle to avoid damage to the vehicle paintwork and exterior finishers.

## NOTE

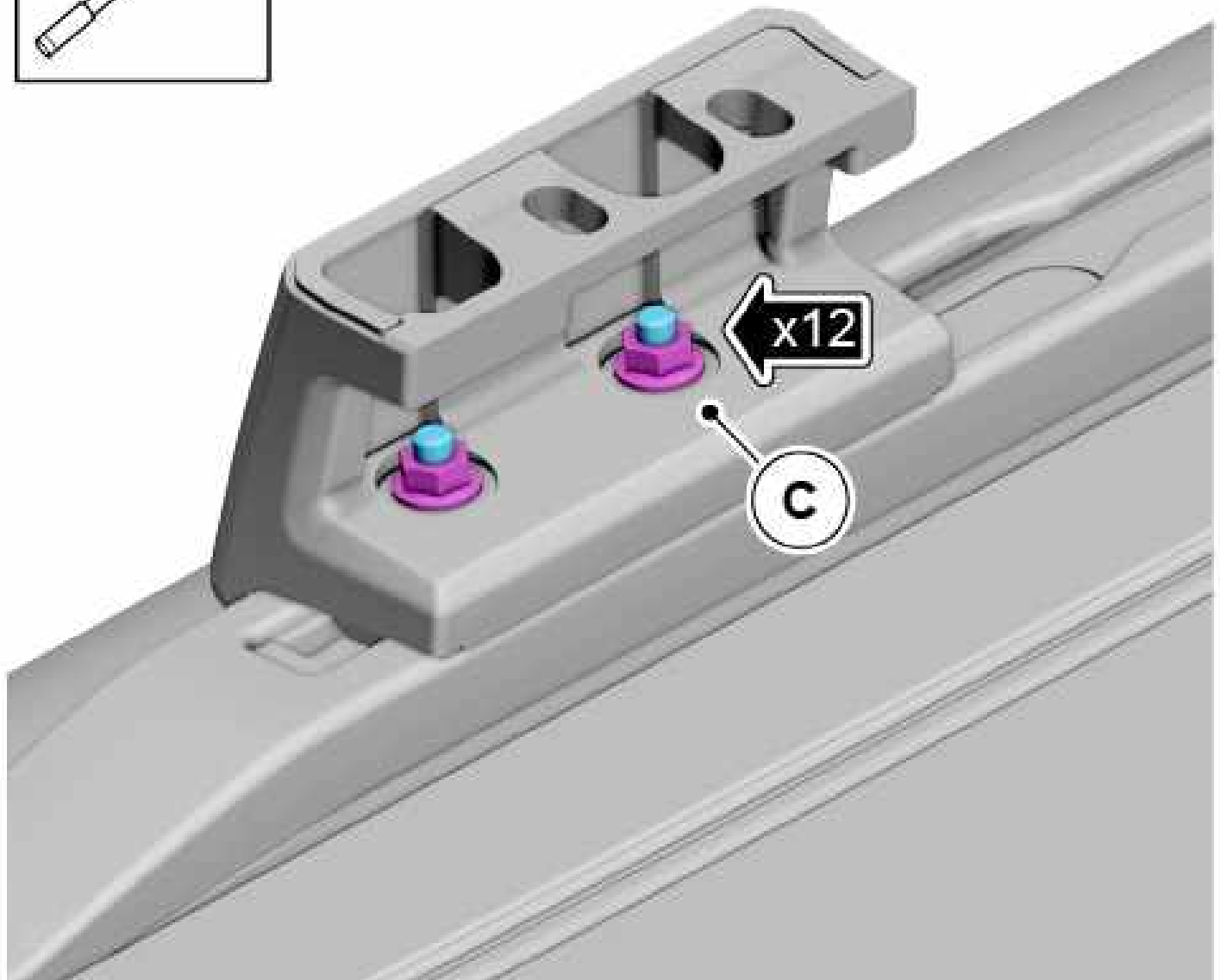
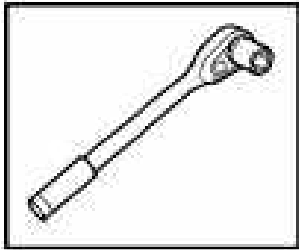
This step requires 3 people to complete. Position 1 person on each side of the vehicle and 1 person at the rear of the vehicle.

Vehicle with 90 wheelbase require 2 people to complete step.

Place the expedition roof rack onto the vehicle to make sure it will sit correctly on the rack supports (F).

- 1 Lift the expedition roof rack (A) over the vehicle and place onto the rack supports (F).
- 2 Make sure the fixing holes in the expedition roof rack align with the matching holes in the rack supports (F). Adjust the rack supports (F) if required.
- 3 Remove the expedition roof rack.

9

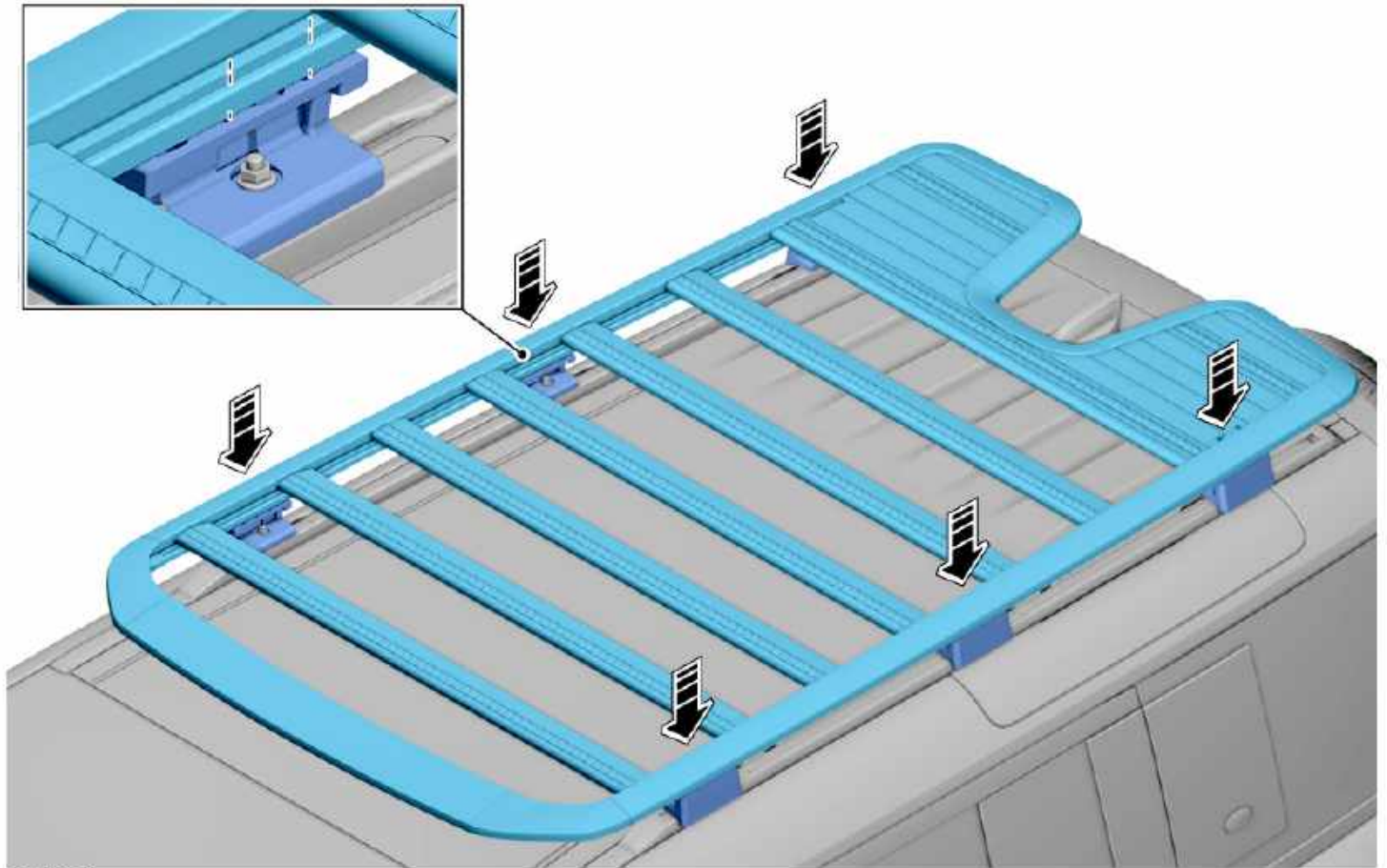
**E249678****NOTE**

Vehicle with 90 wheelbase will have 8 fixings (C).

Fully tighten the 12 fixings (C).

Torque: **27 Nm**

10



E249679

### ! CAUTION

Take care when lifting the expedition roof rack onto the vehicle to avoid damage to the vehicle paintwork and exterior finishers.

### NOTE

This step requires 3 people to complete. Position 1 person on each side of the vehicle and 1 person at the rear of the vehicle.

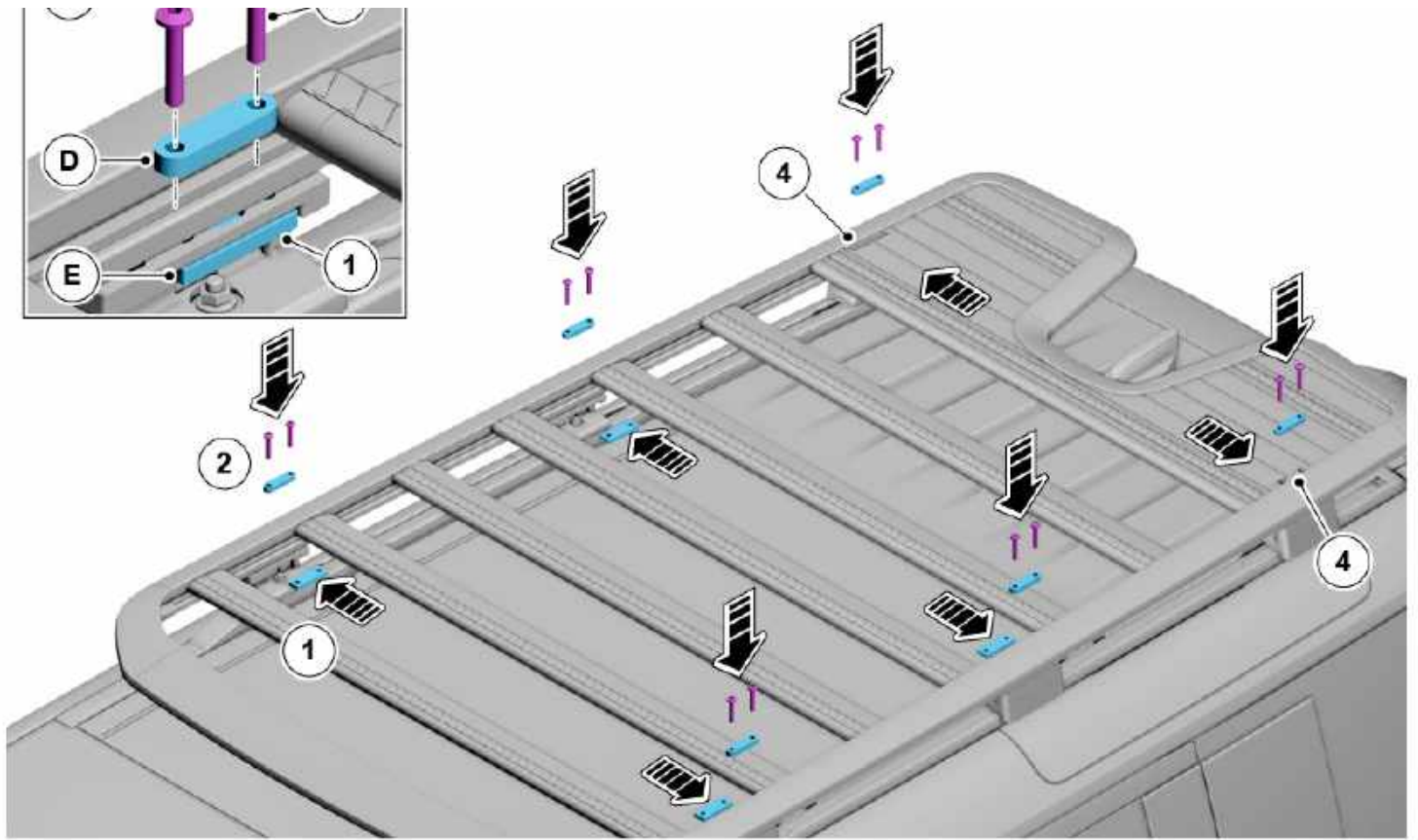
Vehicle with 90 wheelbase require 2 people to complete step.

If also installing the Deployable Roof Ladder to 90 Roof Rails VPLER0176, it should be fully installed before proceeding with the remaining Expedition Roof Rack installation steps.

Align the expedition roof rack fixing holes with the matching holes in the rack supports (F).

11





E249000

### ! CAUTION

Take care to avoid damage to the vehicle paintwork and exterior finishers.

Install, but do not fully tighten the 12 bolts (B).

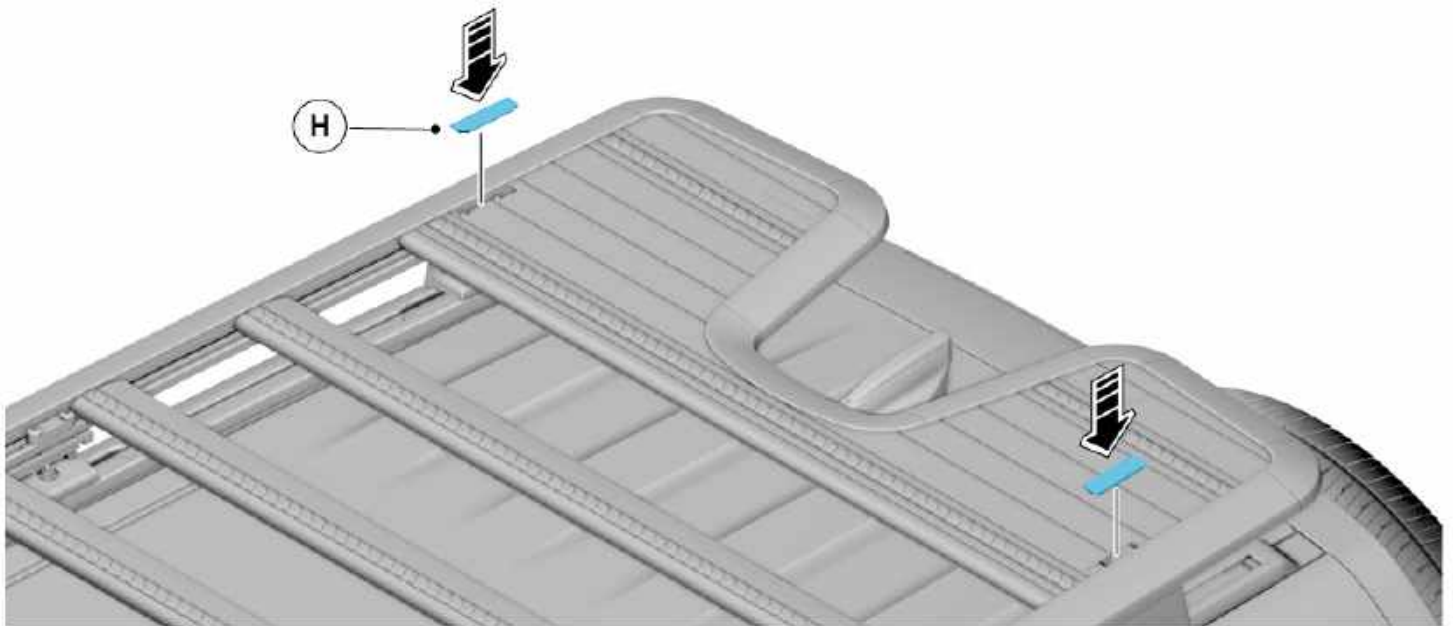
### NOTE

Vehicle with 90 wheelbase will have 4 rack supports (F) and 8 bolts (B).

Install the expedition roof rack to the 6 rack supports (F) using the spacer plates (E) and (D) and the bolts (B).

- 1 Position the spacer plate (E) into the gap in the rack support.
- 2 Position the spacer plate (D) and the bolts (B) over the holes in the rail part of the expedition roof rack.
- 3 Install the bolts (B) so they go through the spacer (D), the rail and the rack support and finally engage into the spacer (E), as illustrated.
- 4 The 2 sets of fixings at the rear of the vehicle need to go through the rear part of the expedition roof rack.
- 5 Torque: **32 Nm**

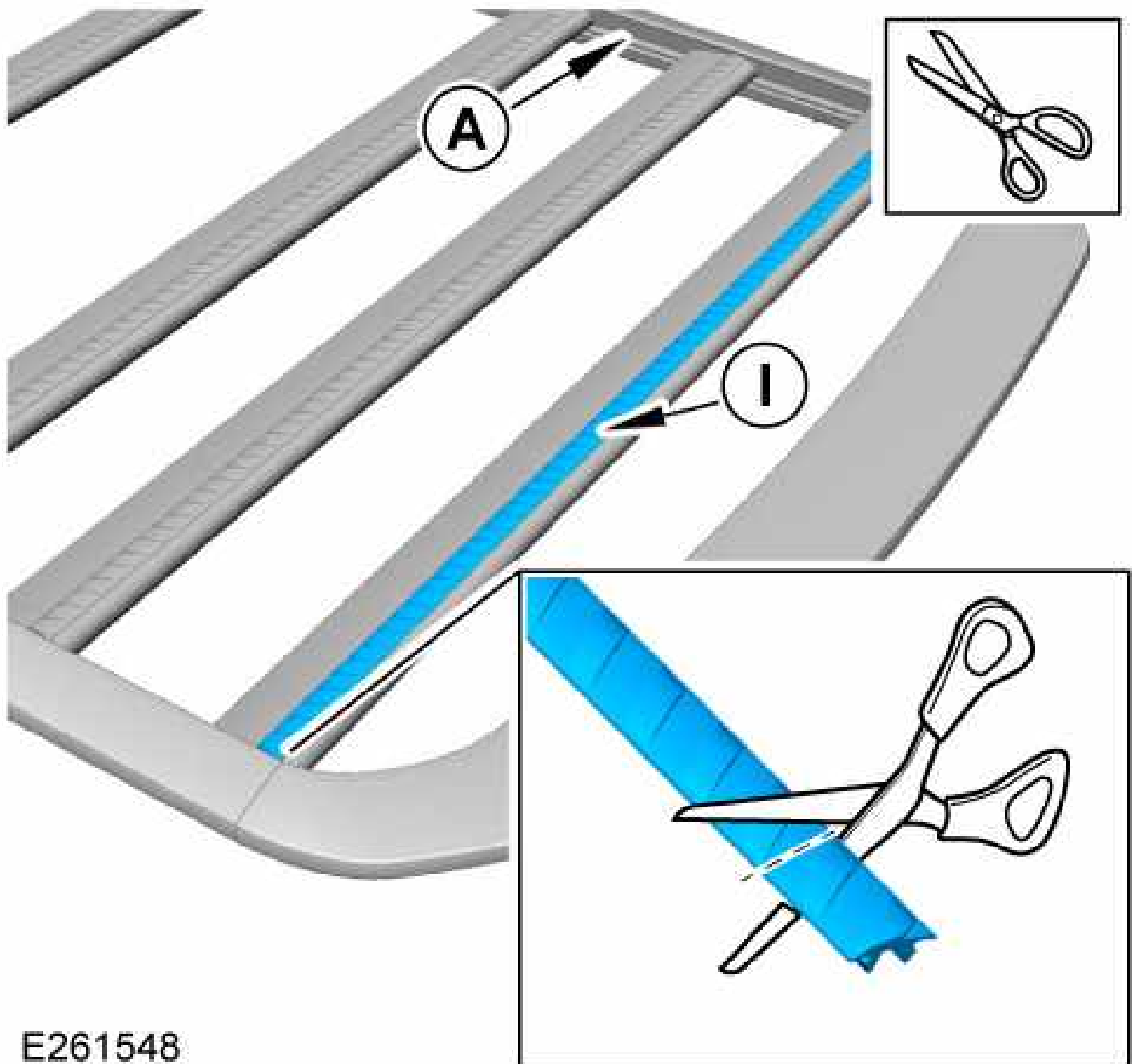
12



E249681

Install the 2 expedition roof rack caps (H) to the expedition roof rack.

13



E261548

**!** CAUTION

Make sure the versatile roof rack finishers are cut to a length so they fill the entire length of the slot in each cross bar. If gaps remain there will be noise generated as the vehicle is being driven.

Install the versatile roof rack finishers (I) into each cross bar by pushing down along the length of the finisher. Cut the versatile roof rack finishers to the required length.



14



E252661

Check the expedition roof rack is installed as illustrated.

**15**  **WARNING**

- After covering the indicated distances, check the torque of all the expedition roof rack fixings.

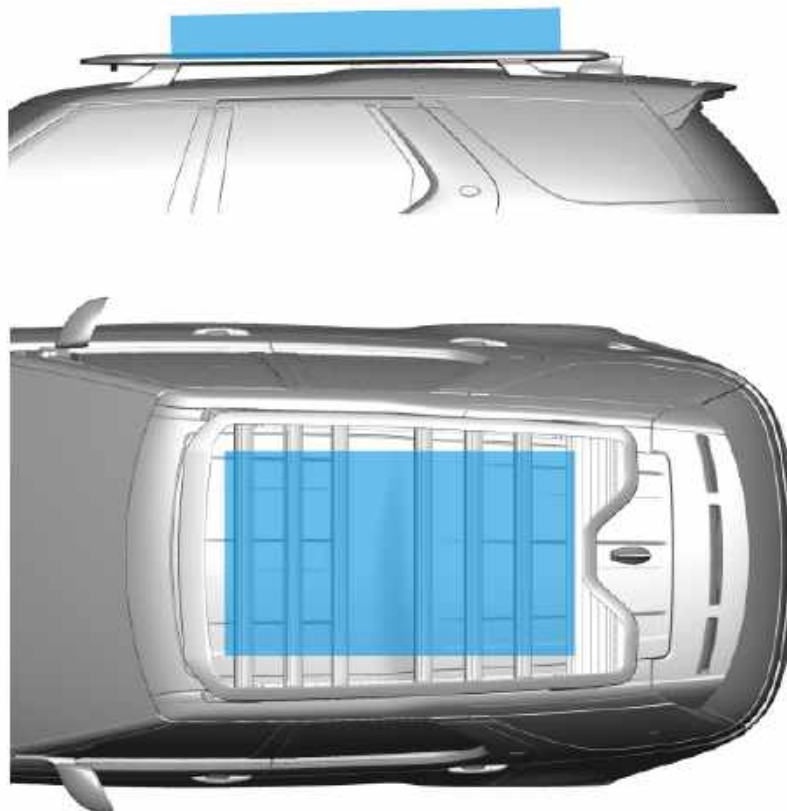
Distances at which torque checks are required.

60 km or 40 miles.

250 km or 150 miles.

1000 km or 600 miles.

16



E222433

### WARNING

The load must be evenly distributed over the area of the expedition roof rack as illustrated. The center of gravity of the load must be kept as low as possible as illustrated.

The maximum load that can be placed on the expedition roof rack (VPLER0180) for vehicles with 90 wheelbase, is 88 kg or 194 lbs.

The maximum load that can be placed on the expedition roof rack (VPLER0181) for vehicles with 110 wheelbase, is 132 kg or 291 lbs.

Do not overload the expedition roof rack.

Do not exceed the recommended gross vehicle weight (GVW).

Do not load cargo, or accessories, outside of the width of the expedition roof rack.

Loads that overhang the ends of the expedition roof rack must conform to all relevant local laws and by-laws.

### NOTE

The weight of the expedition roof rack (VPLER0180) for vehicles with 90 wheelbase, is 30 kg or 66 lbs.

The weight of the expedition roof rack (VPLER0181) for vehicles with 110 wheelbase, is 36 kg or 80 lbs.

Observe weight limits.

**km/h****mph**

E202579

 **WARNING**

Do not exceed 130 km/h or 80 mph when the expedition roof rack is installed.

Do not use elastic straps (bungees) to secure loads onto the expedition roof rack.

All straps that are used must be maintained in a good working order.

Make sure that all cargo and accessories are installed securely to the expedition roof rack. Inspect the security of the attachment of the load to the expedition roof rack regularly during the journey.

Items that may produce a significant lifting force (for example surfboards) must be mounted in such a way as to minimize this force.

Where specialized accessories are available for securing loads (for example cycle carriers or ski carriers), these must be used.

Seek the assistance of another person when installing the expedition roof rack.

Seek the assistance of another person when loading and unloading, heavy, or awkward, items to and from the expedition roof rack.

The handling characteristics of the vehicle will change when a roof load is installed, driving techniques should be altered to suit this changed condition when, for example, braking and cornering.

Be aware of the extra vehicle height.

Negotiate sharp bends with caution and moderate cornering speeds.

Avoid harsh acceleration and braking.

 CAUTION

Do not use automated car washes with the expedition roof rack installed.

NOTE

Obey local regulations regarding carrying on the roof of a vehicle.

Removing the expedition roof rack, when not in use, will improve fuel economy.

It is very important to maintain the equipment in good working order.

Keep the instructions in a safe place for future reference.

Observe warnings, cautions and notes.